

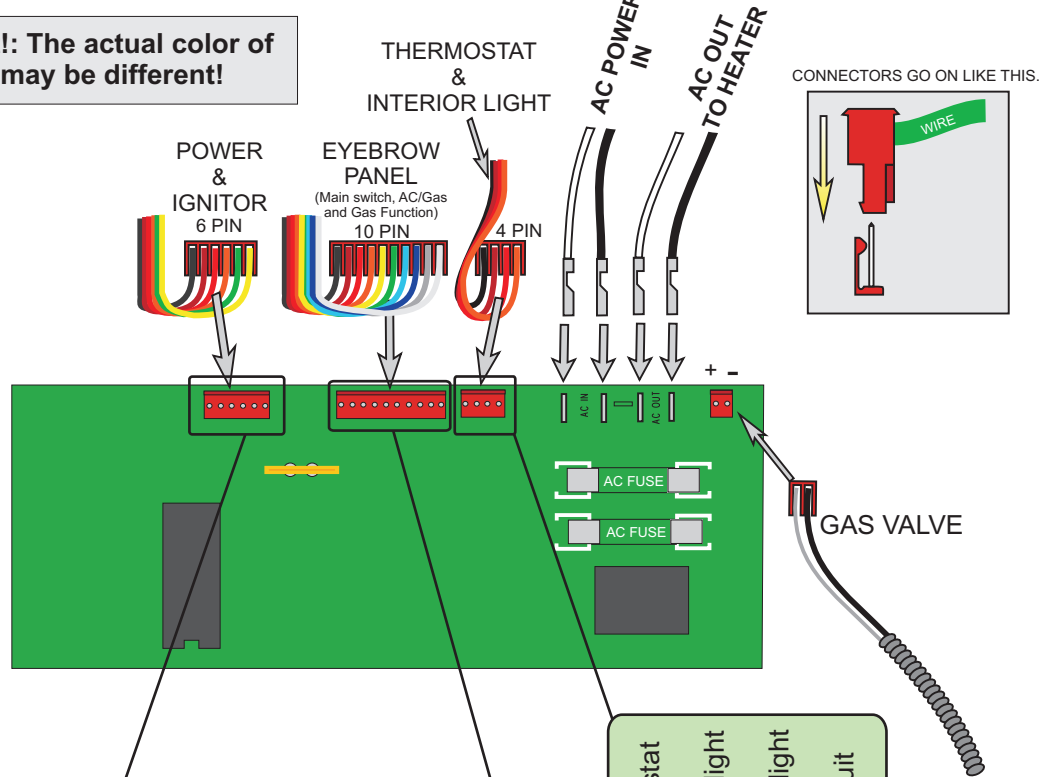


# Dinosaur Electronics


1160 SE 27th St.  
Lincoln City, OR 97367  
Ph. (541) 994-4344 Fax: (541) 994-2796

## Pinouts for the MICRO P-26

**Important!: The actual color of the wires may be different!**




Ignition Interlock  
+12v to reignitor  
NOT USED  
Pulses from reignitor  
GND from Battery  
+12v from Battery



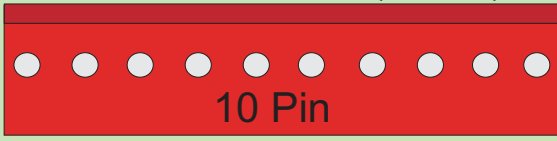
6 Pin

GND to thermostat  
+12v to interior light  
GND to interior light  
Thermostat circuit



4 Pin

Gas warning lamp (+)  
+12v to Main switch  
+12v from Main switch  
GND to Main switch  
Gas Valve closure circuit  
Gas Valve circuit  
AC/Gas function switch IN  
Gas function switch IN  
AC/Gas function lamp (+)  
Gas function lamp (+)



10 Pin