



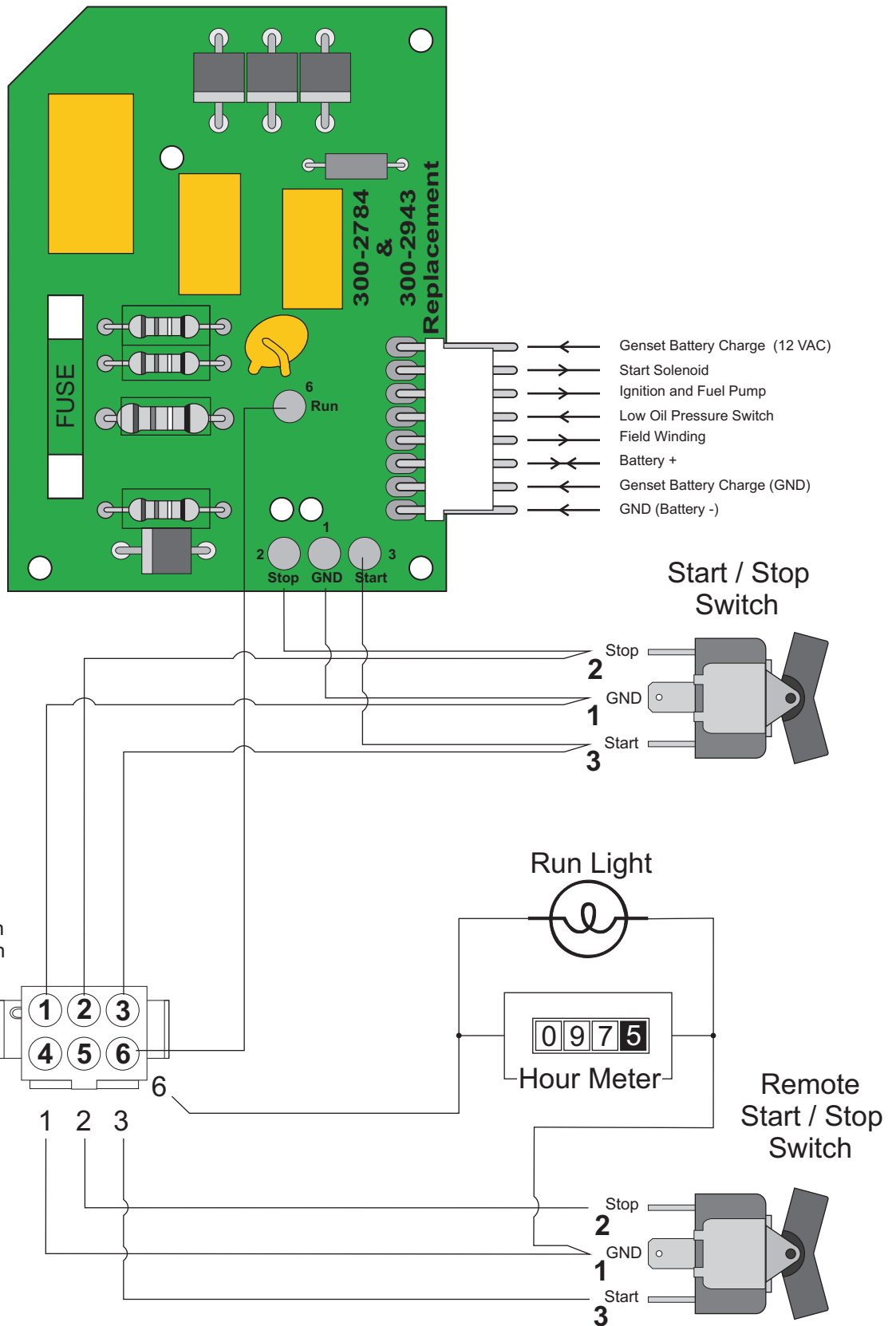
# Dinosaur Electronics

1160 SE 27th St.

Lincoln City, OR 97367

Ph. (541) 994-4344 Fax: (541) 994-2796

## Pinouts for the 300-2784/2943 Board



- 1) GND to remote switch
- 2) Stop from Remote Switch
- 3) Start from Remote Switch
- 4) Not Used
- 5) Not Used
- 6) Run Light / Hour Meter