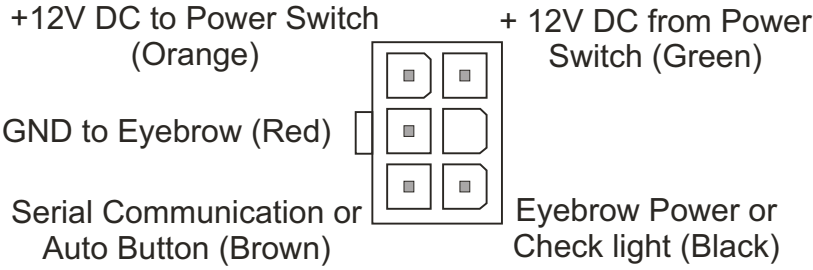
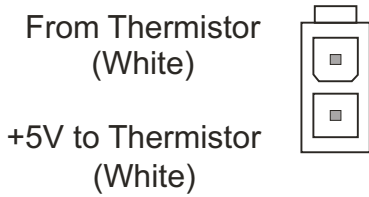


Pinout Diagram for the 3850415.01

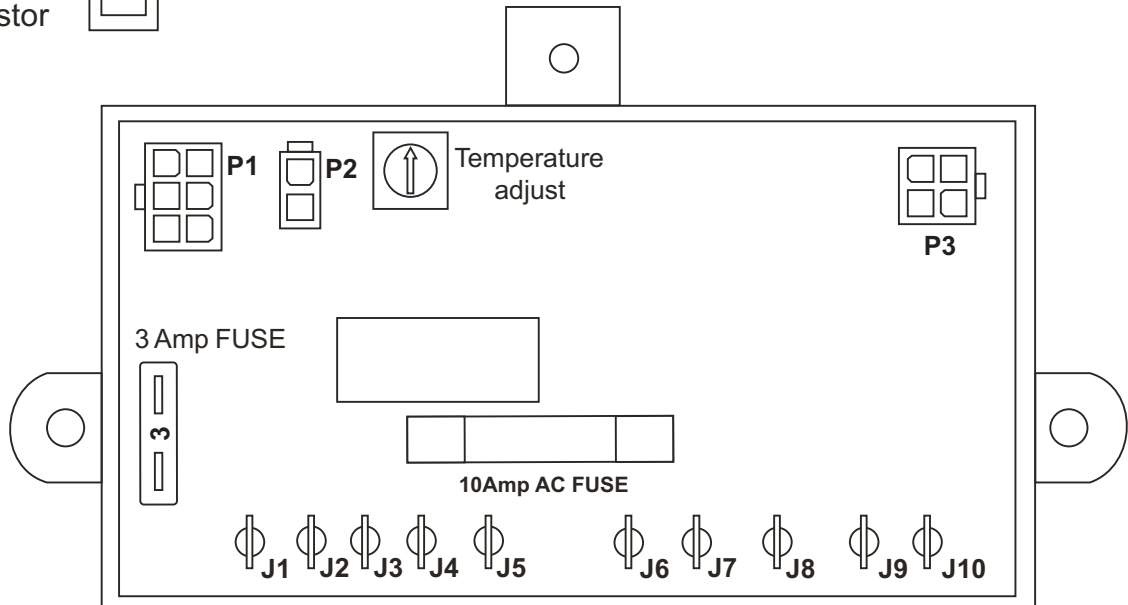
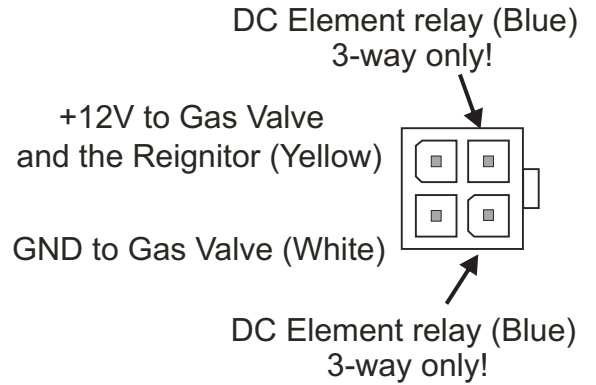
P1 Eyebrow connector



P2 Thermistor connector



P3 Gas Valve/Reignitor & DC Element Relay Connector



- +12VDC Power IN
- Lamp/Heater
- Thermocouple(-)
- AC IN (Hot)
- AC IN (Neutral)
- AC Element OUT (Neutral)
- AC Element OUT (Hot)
- Thermocouple (+)
- GND